

Rowenta

Instruction for use
Mode d'emploi
Instructivo de operación



Groupe SEB USA - 2121 Eden Road
Millville, NJ 08332, USA - Tel: 1-800-769-3682

Groupe SEB Canada Inc, 345 Passmore Avenue
Scarborough, Ontario, M1V 3N8

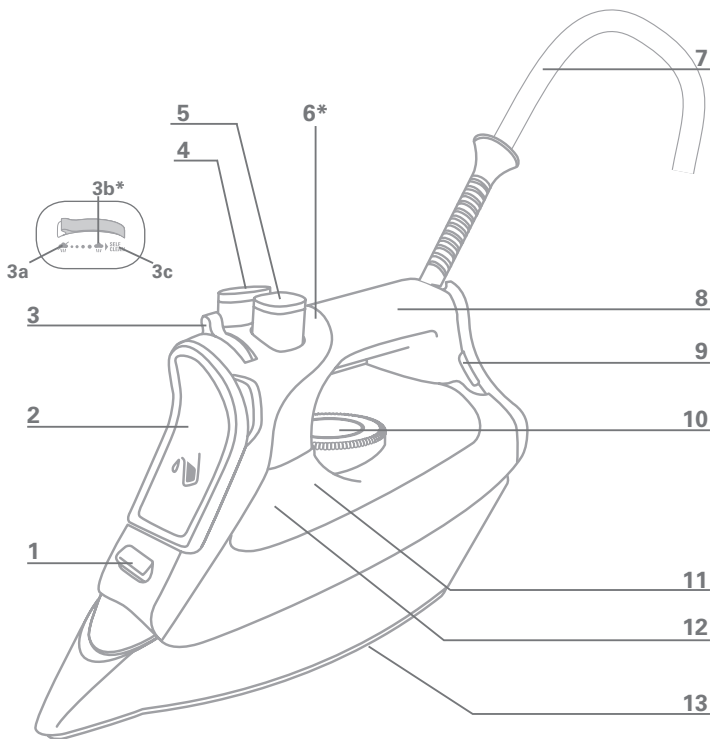
Groupe SEB México, S.A. de C.V.
Calle Goldsmith 38-401 Piso 4 - Polanco Ciudad de México C.P. 11560, México,
R.F.C. GSM8211123P5 TEL. 52 83 93 00

www.rowenta.com

EN

FR

ES



DESCRIPTION

- | | | | |
|----------|--------------------------|-----------|-------------------------------|
| 1 | Spray nozzle | 6 | Auto-off indicator light* |
| 2 | Filling inlet | 7 | Cord |
| 3 | Variable steam control | 8 | Handle |
| a | Dry ironing ☹️ | 9 | Thermostat control light* |
| b | Steam max. position ☹️ * | 10 | Temperature control dial |
| c | Self Clean | 11 | Water tank |
| 4 | Spray button ☹️ | 12 | Maximum water level indicator |
| 5 | Burst of steam button ☹️ | 13 | Soleplate |

* depending on model

IMPORTANT SAFEGUARDS

EN

Read all instructions before using the iron

When using your iron, basic safety precautions should always be followed, including the following:

- Use iron only for its intended use.
- To protect against a risk of electric shock, do not immerse the iron or the base of the iron in water or other liquids.
- The iron should always be turned OFF before plugging or unplugging from outlet. Never yank cord to disconnect from outlet; instead, grasp plug and pull to disconnect.
- Do not allow cord to touch hot surfaces. Let iron cool completely before putting away. Loop cord loosely around iron when storing.
- Always disconnect iron from electrical outlet when filling with water or emptying and when not in use.
- Do not operate iron with a damaged cord or if the iron has been dropped or damaged. To avoid the risk of electric shock, do not disassemble the iron. Contact our Consumer Service Department for examination, repair or adjustment. Incorrect reassembly can cause a risk of electric shock when the iron is used.
- Close supervision is necessary for any appliance being used by or near children. Do not leave iron unattended while connected or on an ironing board.
- Burns can occur from touching hot metal parts, hot water or steam. Use caution when you turn a steam iron upside down - there may be hot water in the reservoir.
- This appliance is only for domestic and personal use.
- This appliance complies with the technical rules and standards for safety currently in force (Electromagnetic Compatibility, Low Voltage, Environment).
- This appliance is not designed to be used by children and people with a physical, sensory or mental impairment, or people without knowledge or experience, unless they are supervised or given prior instructions concerning the use of the appliance by someone responsible for their safety.

Children must be supervised to ensure that they do not play with the appliance.

- **Warning !** The voltage of your electrical outlet must correspond to that of the iron (120V). Connecting to the wrong voltage may cause irreversible damage to the iron and will invalidate the guarantee.

- If the electrical cord becomes damaged, it must be immediately replaced by an approved Service Center to avoid any danger.
- The appliance should not be used if it has fallen, if it has obvious damage, if it leaks or has functional irregularities. Never dismantle your appliance; have it inspected by an approved Service Center to avoid any danger.
- Always unplug your appliance before filling or rinsing the reservoir, before cleaning it and after each use.
- Never leave the appliance unattended when it is plugged in or while the soleplate remains hot (approximately 60 minutes).
- Your appliance gives off steam, which may cause burns, especially when you are ironing on a corner of your ironing board. Never direct the steam toward people or animals.
- Your iron should be used and placed on a stable surface. When you put your iron onto its heel or the iron rest, make sure that the surface on which you put it is stable.
- Any inappropriate use or use contrary to these instructions releases the brand from all responsibility and renders the guarantee invalid.

SPECIAL INSTRUCTIONS

- To avoid a circuit overload, do not operate another high-wattage appliance on the same circuit.
- If an extension cord is absolutely necessary, a 15 ampere cord should be used. Cords rated for less amperage may overheat. Care should be taken to arrange the cord so that it cannot be pulled or tripped over.

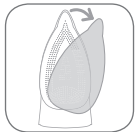
SAVE THESE INSTRUCTIONS

Environment protection first !

- ① Your appliance contains valuable materials which can be recovered or recycled.
- ➔ Leave it at a local civic waste collection point.



BEFORE USE



Warning ! Remove any labels from the soleplate before heating up the iron.

Warning ! Before using your iron with the steam function for the first time, we recommend that you operate it in a horizontal position for a few moments, away from your linen, i.e. press the burst of steam button a few times. During the first few uses, a harmless odor and a small amount of smoke may be given off. This has no effect on the use of the iron and will disappear quickly.

1 • What water may be used ?

Your iron has been designed to operate using untreated tap water. If in doubt, check with your local water authority. However, if your water is very hard, you can mix 50% untreated tap water with 50% distilled or demineralised water.


IMPORTANT Heat concentrates the elements contained in water during evaporation. The types of water listed below contain organic waste or mineral elements that can cause spitting, brown staining or premature wear of the appliance : water from clothes dryers, scented or softened water, water from refrigerators, batteries or air conditioners, pure distilled or demineralised water or rain water should not be used in your iron. Also do not use boiled, filtered or bottled water.

IRONING BOARD: Due to the powerful steam output, a mesh type ironing board must be used to allow any excess steam to escape and to avoid steam venting sideways.

USE

2 • Filling the water tank



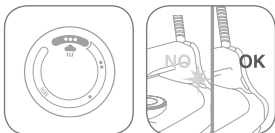
IMPORTANT Before filling the water tank, unplug the iron and set the steam control to dry position .



Tilt the iron. Open the filling inlet. Pour in water up to the max mark. Close the filling inlet and return the iron to the horizontal.

3 • Setting the temperature

Set the iron temperature to suit the type of material using the temperature control dial.

Temperature control*: The temperature control light indicates that the soleplate is heating up. When the temperature control light goes off, the set temperature is reached and you can begin ironing.



Ironing label	Fabric	Temperature control
	Synthetic fibres, e.g. viscose, polyester...	●
	Silk, wool	● ●
	Cotton, linen	● ● ●

IMPORTANT The iron takes longer to cool down than to heat up. We recommend that you start with fabrics to be ironed at a low temperature. For mixed fabrics set the temperature for the most delicate fabric.

TIP Always spray starch onto the reverse side of the fabric to be ironed.

4 • Dry ironing



Set the variable steam control to ☁ and set the temperature to suit the type of material (care points •, ••, •••).

5 • Steam ironing



You can steam iron from temperature setting •• upwards. Steam function* : The steam level can be set from between • (minimum steam quantity) and ☁ (maximum steam quantity). We recommend setting to maximum steam quantity ☁ only when the iron is at temperature setting •••.

6 • Burst of steam (from temperature setting •• upwards)



Press the burst of steam button ☁ to generate a powerful jet of steam. Wait a few seconds between each shot before pressing the button again.

7 • Vertical shot of steam (from temperature setting •• upwards)



TIP Hold the iron 4 to 8 inches away from the garment to avoid burning delicate fabrics.

Hold the iron in the vertical position and press the burst of steam button ☁ to remove creases from suits, jackets, skirts, hanging curtains etc.

IMPORTANT Never direct the steam at persons or animals!

8 • Spray



Press the spray button ☁ to dampen stubborn creases.

9 • Anti-Drip system*

This prevents water escaping from the soleplate when the temperature is too low.

10 • Automatic electronic 3-position auto-off*

If, although switched on, the appliance is not moved, it will automatically switch off and the auto off light will blink after the following intervals:

- After 30 sec., if the iron is left resting on the soleplate or lying on its side.
- After 8 mins., if the iron is left resting on its heel.

To switch the iron back on, move the iron gently.

* depending on model

AFTER USE

11 • Emptying



Unplug the iron, pour away remaining water and set steam control to . Open and close the steam control several times to prevent the valve hole into the steam chamber from scaling or blocking up.

12 • Storing



Allow the appliance to cool down before storing the iron standing on its heel.

IMPORTANT Do not wind the cord around the hot soleplate. Never store your iron placed down on the soleplate.

MAINTENANCE AND CLEANING

IMPORTANT Unplug and allow the iron to fully cool down before maintenance and cleaning.

13 • Anti-scale system

Your iron contains an anti-scale cartridge to reduce scale deposits. This considerably prolongs the operational life of your iron. The anti-scale cartridge is an integral part of the water tank and does not need to be replaced.

14 • Self Clean function (prolongs the life of the iron)

The Self Clean function flushes dirt and scale particles out of the steam chamber.

IMPORTANT Do not use descaling agents, as these damage the lining of the steam chamber and so may impair the steam function.



Fill the water tank with untreated tap water up to the max mark and heat the iron to the temperature. Unplug the iron and hold it over a sink horizontally. Hold the steam control into the Self Clean position : steam will now begin to build up. After a few seconds water will emerge from the soleplate, rinsing dirt and scale particles out of the steam chamber.

Move the steam control to position after approx. 1 minute.

Plug in the iron and allow the iron to heat up again. Wait until the remaining water has evaporated. Unplug from the power outlet and allow the iron to fully cool down.

When cool, the soleplate can be wiped with a damp cloth.

TIP Use the Self Clean function approx. every 2 weeks. If the water is very hard, clean the iron weekly.

15 • Cleaning the iron

When the appliance has cooled down, wipe it down with a damp cloth or sponge, as required. Remove the dirt from the soleplate with a damp cloth or sponge.

IMPORTANT Do not use sharp or abrasive cleaning agents or objects to clean soleplate and other parts of the iron. If the appliance has been standing unused for long periods, use the Self Clean function (see § 14).

PROBLEMS?

Problems	Cause	Solution
The iron is plugged in, but the soleplate of the iron remains cold.	No power from the outlet.	Check that the power plug is properly inserted or try plugging the iron into a different outlet.
	Temperature control set too low.	Set the temperature control to a higher temperature.
	The automatic electronic auto-off* is active.	Move your iron.
None or too little steam is being emitted.	Steam control set on dry position ☹.	Turn the steam control to the required setting area.
	Not enough water in the water tank.	Fill the water tank.
	Anti-Drip* is active (§ 11).	Wait for the soleplate to reach the correct temperature.
Brown streaks come through the holes in the soleplate and stain the linen.	Residues in the steam chamber or on the soleplate.	Use the Self Clean function then clean your iron.
	Use of chemical descaling agents.	Do not add any descaling agents to the water in the water tank. Use the Self Clean function and clean your iron.
	Fabric fibers have accumulated in the holes of the soleplate and are burning.	Clean the soleplate with a non-metallic sponge. Vacuum the holes of the soleplate from time to time.
	Your linen is not rinsed sufficiently or you have ironed a new garment before washing it.	Ensure linen is rinsed thoroughly to remove any soap deposits or chemicals on new garments which may be absorbed by the iron.
	Use of starch.	Always spray starch onto the reverse side of the fabric to be ironed and clean your iron soleplate.
	Pure distilled / demineralized or softened water is being used.	Only use untreated tap water or mix half tap water with half distilled/demineralised water. Use the Self Clean function and clean your iron.
Iron is leaking.	Overuse of shot of steam button.	Allow more time between each shot.
	Soleplate temperature too low .	Set the temperature control to a higher temperature.

EN • ROWENTA INTERNATIONAL LIMITED GUARANTEE

 : www.rowenta.com

This product is repairable by ROWENTA, during and after the guarantee period.

Accessories, consumables and end-user replaceable parts can be purchased, if locally available, as described on the ROWENTA internet site www.rowenta.com

The Guarantee

ROWENTA guarantees this product against any manufacturing defect in materials or workmanship during the guarantee periods within those countries*** as stated in the country list on the last page of the user manual, starting from the initial date of purchase.

The international manufacturer's guarantee covers all costs related to restoring the proven defective product so that it conforms to its original specifications, through the repair or replacement of any defective part and the necessary labor. At ROWENTA's choice, a replacement product may be provided instead of repairing a defective product. ROWENTA's sole obligation and your exclusive resolution under this guarantee are limited to such repair or replacement.

Conditions & Exclusions

ROWENTA shall not be obliged to repair or replace any product which is not accompanied by a valid proof of purchase. The product can be taken directly in person or must be adequately packaged and returned, by recorded delivery (or equivalent method of postage), to a ROWENTA authorized service centre. Full address details for each country's authorized service centres are listed on ROWENTA website (www.rowenta.com) or by calling the appropriate consumer Service centre set out in the attached Country List.

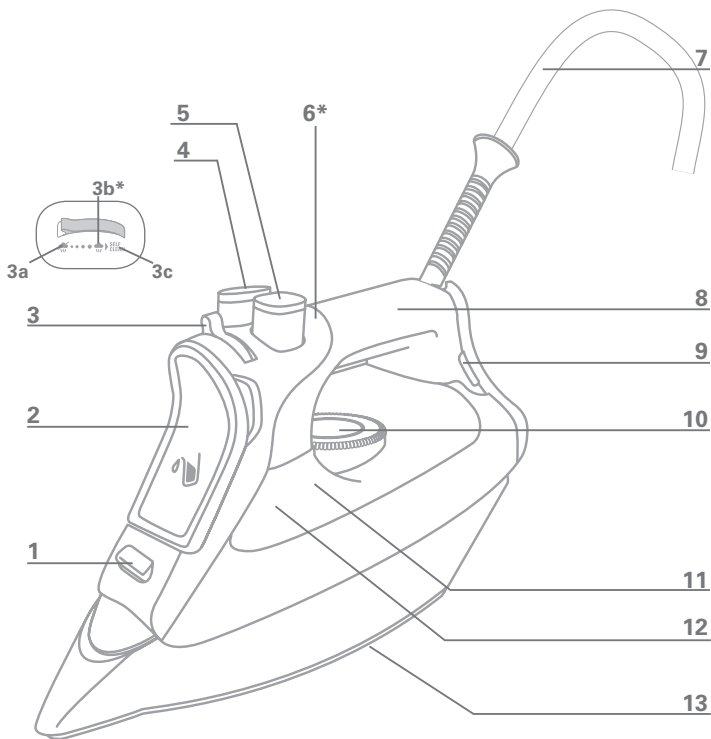
This guarantee applies only for products purchased and used for domestic purposes and will not cover any damage which could occur as a result of misuse, negligence, failure to follow ROWENTA instructions, or a modification or unauthorized repair of the product, faulty packaging by the owner or mishandling by any carrier. It also does not cover normal wear and tear, maintenance or replacement of consumable parts, or the following:

- Using the wrong type of water or consumable
- Damages or bad results specifically due to wrong voltage or frequency as stamped on the product ID or specification
- Scaling (any de-scaling must be carried out according to the instructions for use)
- Accidents including fire, flood, thunderbolt etc.
- Mechanical damages, overloading,
- Ingress of water, dust or insects into the product,
- Damage to any glass or porcelain ware in the product,
- Professional or commercial use

Consumer Statutory Rights

The international ROWENTA guarantee does not affect the Statutory Rights a consumer may have or those rights that cannot be excluded or limited, nor rights against the retailer from which the consumer purchased the product. This guarantee gives a consumer specific legal rights, and the consumer may also have other legal rights which vary from State to State or Country to Country. The consumer may assert any such rights at his sole discretion.

****Where a product purchased in one listed country and then used in another listed country, the international ROWENTA guarantee duration is the one in the country of usage, even if the product was purchased in a listed country with different guarantee duration. The repair process may require a longer time if the product is not locally sold by ROWENTA. If the product is not repairable in the new country, the international ROWENTA guarantee is limited to a replacement by a similar or alternative product at similar cost, where possible.*



DESCRIPTION

- | | | | |
|---|-------------------------------------|----|---|
| 1 | Vaporisateur | 7 | Cordon |
| 2 | Orifice de remplissage | 8 | Poignée |
| 3 | Commande de régulation de la vapeur | 9 | Voyant de contrôle de la température* |
| a | Sans vapeur ☹️ | 10 | Cadran du thermostat |
| b | Vapeur maximale ☹️* | 11 | Réservoir d'eau |
| c | Autonettoyage | 12 | Indication du niveau de remplissage maximal |
| 4 | Bouton de vaporisation ☹️☹️ | 13 | Semelle |
| 5 | Bouton du jet de vapeur ☹️ | | |
| 6 | Voyant d'arrêt automatique* | | |

* selon le modèle

PRÉCAUTIONS IMPORTANTES

Lisez entièrement le mode d'emploi avant d'utiliser le fer.

Lorsque vous utilisez votre fer à repasser, veuillez à prendre quelques précautions élémentaires, les suivantes, en particulier :

- N'utilisez le fer que pour l'usage pour lequel il a été conçu.
- Pour vous protéger d'un choc électrique, n'immergez jamais le fer ou sa base dans l'eau ou dans un autre liquide.
- Le fer doit toujours être mis en position ARRÊT avant que vous ne puissiez brancher ou débrancher l'appareil. Ne tirez jamais sur le cordon pour retirer la fiche de la prise de courant.
- Ne laissez pas le cordon toucher à des surfaces chaudes. Laissez le fer refroidir complètement avant de le ranger. Enroulez le cordon autour du fer pour le ranger.
- Débranchez toujours le fer de la prise de courant lorsque vous le remplissez d'eau ou si vous ne l'utilisez pas.
- N'utilisez pas le fer si son cordon est abîmé, s'il est tombé par terre ou endommagé. Ne démontez pas le fer afin d'éviter un choc électrique. Pour un examen, une réparation ou un réglage, veuillez joindre notre Service à la clientèle. Un assemblage inadéquat pourrait causer un choc électrique au moment d'utiliser le fer.
- Une surveillance étroite est nécessaire lorsqu'un appareil électrique est utilisé par des enfants ou à leur portée. Ne laissez pas le fer sans surveillance s'il est branché ou sur la planche à repasser.
- Le métal chaud, l'eau chaude ou la vapeur peuvent causer des brûlures. Soyez prudent lorsque vous mettez un fer à vapeur à l'envers, car son réservoir pourrait encore contenir de l'eau chaude.
- Cet appareil n'est conçu que pour un usage domestique ou personnel.
- Cet appareil est conforme à la réglementation et aux normes techniques en vigueur en matière de sécurité (compatibilité électromagnétique, basse tension, environnement).
- Cet appareil n'est pas conçu pour être utilisé par des enfants ou des personnes dont les capacités physiques, sensorielles ou mentales sont réduites ou des personnes qui ne l'ont jamais utilisé auparavant, à moins qu'une personne responsable en supervise l'utilisation sécuritaire.

Il convient de surveiller les enfants pour s'assurer qu'ils ne jouent pas avec l'appareil.

- Attention! la tension de votre installation électrique doit correspondre à celle du fer (120V).

Toute erreur de branchement peut causer un dommage irréversible au fer et annule la garantie.

- Si le cordon d'alimentation est endommagé, il doit être immédiatement remplacé par un centre de service autorisé, afin d'éviter un danger.
- Le fer ne doit pas être utilisé s'il est tombé par terre, s'il a des dommages visibles, s'il fuit ou s'il ne fonctionne pas correctement. Ne démontez jamais votre fer, adressez-vous toujours à un centre de service autorisé afin d'éviter tout danger.
- Débranchez toujours l'appareil avant de remplir ou de rincer le réservoir, avant de le nettoyer et après chaque utilisation.
- Ne laissez jamais votre appareil sans surveillance s'il est branché à une source d'énergie ou pendant les 60 minutes que la semelle demeure chaude.

- Votre appareil émet de la vapeur, ce qui peut causer des brûlures, surtout si vous vous tenez sur un coin de votre planche à repasser. Ne dirigez jamais la vapeur sur quelqu'un ou sur un animal.
- Votre fer doit être utilisé et posé sur une surface stable. Lorsque vous posez votre fer sur son talon d'appui, assurez-vous que la surface sur laquelle vous le posez est stable.
- Toute utilisation inadéquate ou contraire aux présentes instructions dégage la marque de toute responsabilité et annule la garantie.

INSTRUCTIONS SPÉCIALES

- Pour éviter la surcharge d'un circuit électrique, n'y branchez pas un autre appareil de haute puissance.
- Si vous devez absolument utiliser une rallonge, choisissez-en une de 15 ampères. Une rallonge de moindre intensité pourrait surchauffer. Veillez à la sécuriser de sorte qu'elle ne puisse être débranchée ou qu'elle ne fasse trébucher quelqu'un.

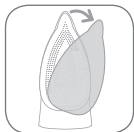
CONSERVEZ CES INSTRUCTIONS

Participons à la protection de l'environnement !

- ① Votre appareil contient de nombreux matériaux valorisables ou recyclables.
- ➔ Confiez-le à un point de collecte en vue de son traitement.



AVANT LA PREMIÈRE UTILISATION



Attention ! Retirez les étiquettes de semelle avant de faire chauffer le fer (selon le modèle).

Attention ! Avant la première utilisation de votre fer en position vapeur, nous vous recommandons de le faire fonctionner quelques instants en position horizontale, à l'écart de votre linge et en appuyant quelques fois sur le bouton de surcroît de vapeur. Durant les premières utilisations, il peut se produire un dégagement de fumée et une odeur sans nocivité. Ce phénomène sans conséquence sur l'utilisation disparaîtra rapidement.

1 • Quelle eau utiliser ?

Votre fer a été conçu pour fonctionner avec de l'eau non traitée du robinet jusqu'à un degré de dureté de 17° dH (dureté allemande). En cas d'une eau plus dure, nous recommandons un mélange de 50/50 d'eau du robinet et d'eau distillée.

Pour connaître la qualité de l'eau que vous utilisez, adressez-vous au service d'acqueduc de votre localité.

IMPORTANT N'ajoutez rien au contenu du réservoir d'eau et n'utilisez pas l'eau des sèche-linges, l'eau parfumée ou adoucie, l'eau des réfrigérateurs, des batteries, des climatiseurs, de l'eau pure distillée ou de l'eau de pluie. Ces eaux contiennent des déchets organiques ou des éléments minéraux qui se concentrent avec la chaleur et peuvent provoquer des crachements, des coulures brunes ou un vieillissement prématuré de votre appareil.

UTILISATION

2 • Remplissage du réservoir

IMPORTANT Avant le remplissage du réservoir d'eau, débranchez toujours l'appareil et réglez la commande de réglage de la vapeur sur la position

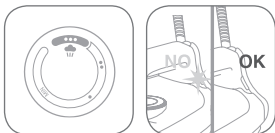


Tenez le fer à repasser en position oblique. Ouvrez l'orifice de remplissage. Versez de l'eau jusqu'au repère max. Fermez l'orifice de remplissage. Vous pouvez mettre le fer de nouveau à l'horizontal.

3 • Réglage de la température de repassage

Réglez la température de repassage à l'aide du cadran du thermostat en fonction du type de tissu que vous désirez repasser.

Contrôle de la température* : Le voyant lumineux indique si la semelle est à la température choisie. Lorsque le voyant s'éteint, la température désirée est atteinte, vous pouvez commencer à repasser.



Etiquette des tissus	Type de tissu	Thermostat
	Fibres synthétiques (viscose, polyester...)	•
	Soie, laine	••
	Coton, lin	•••

IMPORTANT Le temps de refroidissement du fer est plus long que le temps de chauffe. Nous vous recommandons de commencer votre repassage par les tissus délicats à la température minimale. Pour des vêtements composés de différentes matières, choisissez la température adaptée au tissu le plus délicat.

CONSEIL Vaporisez toujours l'amidon sur l'envers du tissu à repasser.

4 • Repassage à sec



Réglez la commande de réglage de la vapeur sur et réglez la température en fonction du type de tissu (symboles •, ••, •••).

5 • Repassage à la vapeur



A partir du réglage de température ••, vous pouvez repasser avec de la vapeur.

Fonction Vapeur* Le débit de vapeur peut être réglé entre • (débit de vapeur minimal) et (débit de vapeur maximal).

Pour le débit de vapeur maximal , nous recommandons de régler la température sur •••.

6 • Jet de vapeur (à partir du réglage de température ••)



Appuyez sur le bouton  pour produire un jet de vapeur puissant. Attendez quelques secondes entre deux appuis.

7 • Jet de vapeur vertical (à partir du réglage de température ••)




CONSEIL Pour éviter de brûler les tissus délicats, tenez le fer à une distance de 10 à 20 cm.

Tenez le fer dans une position verticale et appuyez sur la commande () pour défroisser des vêtements suspendus, des tentures, etc.

IMPORTANT N'orientez jamais le jet de vapeur sur des personnes ou des animaux.

8 • Vaporisateur



Appuyez sur la commande  pour humecter les plis tenaces.

9 • Système anti-gouttes*

Il empêche les fuites de gouttes d'eau par la semelle, si la température sélectionnée est trop basse.

10 • Arrêt électronique automatique à 3 positions*


Si votre appareil est allumé mais qu'il ne bouge pas, votre fer s'arrêtera automatiquement et le voyant d'arrêt automatique clignotera :

- après 30 secondes si le fer repose sur la semelle ou s'il est posé sur le coté ;
- après 8 minutes si le fer repose sur son socle.

APRÈS LE REPASSAGE

11 • Vidange du fer



Débranchez le fer, videz l'eau résiduelle et réglez la commande de réglage de la vapeur sur .

Ouvrez et fermez plusieurs fois la commande de réglage de la vapeur afin d'empêcher des dépôts de calcaire ou une obstruction de l'orifice d'écoulement dans la chambre de vapeur.

12 • Rangement de votre fer



Laissez refroidir le fer avant de le ranger en position verticale sur le socle.

IMPORTANT N'enroulez pas le cordon autour de la semelle chaude et ne rangez jamais votre fer à plat sur sa semelle.

ENTRETIEN ET NETTOYAGE

IMPORTANT Débranchez et laissez toujours refroidir le fer avant l'entretien ou le nettoyage.

13 • Système antitartre

Votre fer à repasser contient une cartouche antitartre, réduisant nettement la formation de calcaire. La durée de vie de votre fer à repasser est ainsi notablement accrue. La cartouche antitartre est un composant fixe du réservoir d'eau et il n'est pas nécessaire de la remplacer.

14 • Autonettoyage (pour une durée de vie accrue)




La fonction d'auto nettoyage élimine par rinçage les saletés et les particules de calcaire dans la chambre de vapeur.

IMPORTANT N'utilisez jamais de produits de détartrage, ils risquent d'endommager le revêtement de la chambre de vapeur et d'altérer le débit de vapeur.

Remplissez le réservoir jusqu'au repère max. et réglez le thermostat sur la température max ●●●.

Débranchez l'appareil et tenez le fer dans une position horizontale au-dessus d'un évier. Maintenez la commande de réglage de la vapeur sur la position SELF CLEAN : il y a une forte production de vapeur.

Après quelques secondes, l'eau et la vapeur sortant de la semelle éliminent par rinçage les saletés et les particules de calcaire de la chambre de vapeur. Réglez la commande de réglage de la vapeur sur la position  après environ 1 minute.

Branchez le fer et laissez-le chauffer de nouveau. Attendez que l'eau résiduelle se soit évaporée. Débranchez l'appareil de la prise murale et laissez-le refroidir complètement. Lorsque la semelle est froide, essuyez-la avec un chiffon humide.


CONSEIL Procédez à un autonettoyage SELF CLEAN environ toutes les 2 semaines. Si l'eau est trop dure, faites un nettoyage hebdomadaire.

15 • Nettoyage du fer

Essuyez l'appareil refroidi avec un chiffon ou avec une éponge humide. Enlevez les saletés sur la semelle avec un chiffon ou avec une éponge humide.

IMPORTANT N'utilisez jamais de produits de nettoyage et d'objets tranchants ou abrasifs pour nettoyer la semelle et les autres parties de l'appareil. Si votre appareil est resté inutilisé pendant longtemps, utilisez la fonction SELF-CLEAN (voir § 14).

PROBLÈMES POSSIBLES

Problème	Cause	Solution
Le fer est branché, mais la semelle reste froide ou ne chauffe pas.	Pas d'alimentation de courant.	Assurez-vous que la fiche est bien insérée dans la prise ou essayez de brancher l'appareil sur une autre prise.
	Température trop basse.	Réglez le thermostat à la position souhaitée.
	L'arrêt électronique automatique* est activé.	Bougez votre fer.
Le voyant de contrôle* s'allume et s'éteint.	Procédure normale.	Le voyant de contrôle* s'allume et s'éteint pour indiquer la phase d'échauffement. Dès que le voyant de contrôle de température* s'éteint ou que le voyant vert* s'allume, la température voulue est atteinte.
Il n'y a pas de vapeur ou la quantité de vapeur sortante est insuffisante.	Commande de réglage de la vapeur est réglée sur la position  .	Réglez la vapeur à la position souhaitée.
	Pas assez d'eau dans le réservoir.	Remplissez le réservoir.
	Fonction anti-gouttes* active (§ 9).	Attendez jusqu'à ce que la semelle ait de nouveau atteint la température voulue.
La semelle est sale et peut faire des taches sur le tissu.	Résidus éventuels dans la chambre de vapeur/la semelle.	Procédez à un auto-nettoyage puis nettoyez votre fer.
	Utilisation d'additifs chimiques.	N'ajoutez pas d'additifs chimiques à l'eau contenue dans le réservoir et nettoyez votre fer.
	Utilisation d'eau distillée pure ou de l'eau déminéralisée.	Utilisez de l'eau du robinet pure ou un rapport de mélange de 1:1 composé d'eau du robinet et d'eau distillée et nettoyez votre fer.
	Utilisation d'amidon.	Vaporisez toujours l'amidon sur l'envers du tissu et nettoyez votre fer.
De l'eau sort de la semelle.	Température trop basse de la semelle et utilisation trop rapprochée de la commande vapeur.	Mettez le thermostat à la position souhaitée et espacez davantage les jets de vapeur.

 : www.rowenta.com

Ce produit est réparable par ROWENTA, pendant et après la période de garantie.

Les accessoires, consommables et autres pièces remplaçables directement par l'utilisateur, peuvent être achetés, si ils sont disponibles localement, tel que décrit sur le site internet www.rowenta.com.

La Garantie

Ce produit est garanti par ROWENTA contre tout défaut de fabrication ou de matière, pendant la période de garantie à partir de la date d'achat et dans les pays précisés***, tels que définis dans la liste en dernière page du mode d'emploi. La Garantie Internationale du fabricant couvre tous les coûts de remise en état d'un produit reconnu défectueux pour redevenir conforme à ses spécifications d'origine, par la réparation, la main d'œuvre, et le remplacement éventuel de pièces défectueuses. Au choix de ROWENTA, un produit de remplacement peut être proposé à la place de la réparation du produit défectueux. Les obligations de ROWENTA dans le cadre de cette garantie se limitent exclusivement à cette réparation ou ce remplacement.

Conditions & Exclusions

ROWENTA n'a aucune obligation de réparer ou d'échanger un produit qui ne serait pas accompagné d'un justificatif d'achat. Le produit peut être déposé directement chez un réparateur agréé, ou peut y être envoyé en recommandé après avoir été emballé de manière adéquate. La liste complète des réparateurs agréés dans chaque pays, avec leurs coordonnées complètes, est disponible sur le site de ROWENTA (www.rowenta.com), ou en appelant le numéro du Service Consommateurs précisé dans la Liste des Pays.

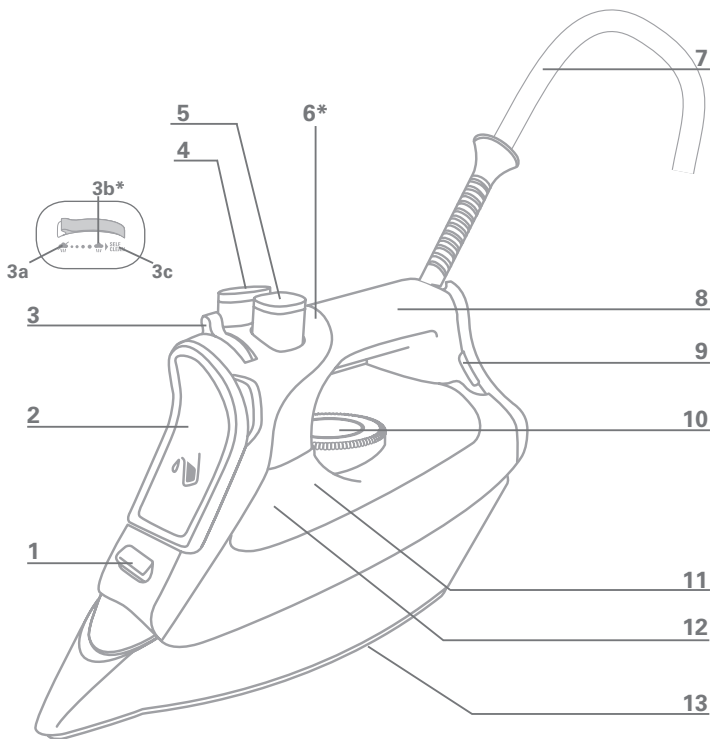
La Garantie Internationale de ROWENTA couvre exclusivement les produits achetés dans un des pays listés, et utilisés à des fins domestiques également dans un des pays listés dans la Liste des Pays. Cette garantie ne couvre pas les dommages qui seraient le résultat d'une mauvaise utilisation, d'une négligence, du non respect des instructions d'utilisation et de maintenance, ou d'une modification ou d'une réparation non autorisée du produit. Cette garantie ne s'applique pas aux problèmes d'emballage ou de transport pendant l'expédition du produit par son propriétaire. Elle n'inclut également pas l'usure normale du produit, ni la maintenance ou le remplacement de pièces consommables, ni les cas suivants :

- utilisation d'une eau ou de consommables non adaptés
 - entartrage (tout détartrage doit être réalisé conformément aux instructions dans le mode d'emploi)
 - entrée d'eau, de poussière, d'insectes dans le produit
 - dommages dus à un choc, ou une surcharge
 - tous accidents liés à un feu, une inondation, la foudre, etc
 - usage professionnel ou sur un lieu de travail
 - verre ou céramique endommagé
- dommages ou dysfonctionnements spécifiquement dus à l'utilisation avec un voltage, une fréquence électrique non conformes à ceux spécifiés sur la plaque signalétique ou toute autre spécification locale.

Droits des Consommateurs

Cette Garantie Internationale de ROWENTA n'affecte ni les droits légaux dont bénéficie tout consommateur localement, qui ne sauraient être exclus ou limités, ni les droits légaux envers un distributeur auprès de qui aurait été acheté un produit. Cette Garantie donne au consommateur des droits spécifiques, et le consommateur peut par ailleurs bénéficier des droits particuliers en fonction du Pays, de l'Etat ou de la Province. Le consommateur peut faire usage de ces droits de son seul fait.

****En cas d'utilisation dans un pays listé différent du pays d'achat, la durée de la Garantie Internationale de ROWENTA est celle du pays d'utilisation du produit, y compris dans le cas où le produit aurait été acquis dans un pays listé avec une durée de garantie différente. Le traitement de la Garantie Internationale peut prendre un temps supérieur aux conditions locales de réparation si la référence du produit n'est pas elle-même commercialisée par ROWENTA dans le pays d'emploi. Au cas où le produit ne serait pas réparable dans le pays d'emploi, la Garantie Internationale de ROWENTA est limitée au remplacement par un produit équivalent ou un produit alternatif de même valeur, si c'est possible.*



DESCRIPCIÓN DEL APARATO

- | | |
|--|---|
| 1 Rociador | 6 Indicador luminoso de autoapagado* |
| 2 Orificio de llenado con tapa deslizante | 7 Cable de alimentación |
| 3 Regulador de salida de vapor | 8 Asa |
| a Sin vapor ☁ | 9 Luz piloto* |
| b Vapor máximo ☁* | 10 Regulador de temperatura |
| c Self Clean (auto limpieza) | 11 Depósito de agua |
| 4 Botón rociador ☁ | 12 Indicación del nivel máximo de agua |
| 5 Botón golpe de vapor ☁ | 13 Suela |

* según el modelo

INSTRUCCIONES IMPORTANTES DE SEGURIDAD

La seguridad de este aparato es conforme a las reglas técnicas y a las normas en vigor (Compatibilidad Electromagnética, Baja Tensión, Medio Ambiente).

- **Lea detenidamente este manual de instrucciones y guárdelo donde pueda volver a consultarlo.**
- Este aparato no está previsto para que lo utilicen personas (incluso niños) cuya capacidad física, sensorial o mental esté disminuida, o personas sin experiencia o conocimientos, excepto si pueden recibir a través de otra persona responsable de su seguridad, una vigilancia adecuada o instrucciones previas relativas a la utilización del aparato. Conviene vigilar a los niños para asegurarse de que no juegan con el aparato.
- **¡ Cuidado ! La tensión de la instalación eléctrica debe corresponder con la de la plancha (127V a.c). Cualquier error de conexión puede causar daños irreversibles en la plancha no cubiertos por la garantía.**
- Esta plancha debe conectarse obligatoriamente a un enchufe con toma de tierra. Si utiliza una extensión, compruebe que sea de tipo bipolar (16A) con conductor de tierra.
- Si el cable eléctrico está dañado, hágalo cambiar en un Servicio autorizado, y evitará así cualquier peligro.
- El aparato no debe utilizarse si se ha caído, si presenta daños visibles, si tiene fugas o presenta anomalías de funcionamiento. No desmonte nunca el aparato : llévelo a revisar a un Servicio Técnico Autorizado, para evitar cualquier peligro.
- ¡ No sumerja nunca la plancha en el agua !
- No desconecte el aparato tirando del cable. Desconecte siempre el aparato: antes de llenar - fig. 4 o enjuagar el depósito, antes de limpiarlo, después de cada utilización.
- No deje nunca el aparato sin supervisión cuando esté conectado a la alimentación eléctrica; y cuando aún esté caliente (aprox. 1 hora).
- La suela de la plancha puede estar muy caliente : no la toque nunca y deje que la plancha se enfríe antes de guardarla. El aparato emite vapor que puede producir quemaduras, especialmente cuando planche en un ángulo de la tabla de planchar. No dirija nunca el vapor hacia personas o animales.
- Debe utilizar y poner la plancha sobre una superficie estable. Cuando ponga la plancha en su tabla de planchar, asegúrese de que la superficie sobre la que está colocada sea estable.
- Este aparato se ha diseñado para uso doméstico exclusivamente. Si se realiza un uso inapropiado o contrario a las instrucciones, la marca declinará cualquier responsabilidad y la garantía no será válida.

¡ ¡ Participe en la conservación del medio ambiente ! !

- ① Su electrodoméstico contiene materiales recuperables y/o reciclables.
- ➔ Entréguelo al final de su vida útil, en un Centro Específico.



CONSERVE ESTAS INSTRUCCIONES

ANTES DEL PRIMER USO



¡ATENCIÓN ! Retire las posibles etiquetas de la suela antes de calentar la plancha (según el modelo).

¡ATENCIÓN ! Antes de utilizar la plancha por primera vez en posición vapor, le aconsejamos que la haga funcionar algunos momentos en posición horizontal y sin ropa debajo. En estas mismas condiciones, accione varias veces el mando Superpressing. Las primeras veces, puede que salga algo de humo y se desprenda olor, pero no es nocivo. Este fenómeno que no afecta al uso del aparato, desaparece rápidamente.

1 • ¿Qué tipo de agua se puede utilizar?

Se puede utilizar agua del grifo limpia con un grado de dureza calcárea de entre 20 y 35 mgr/L (puede consultar este dato en su ayuntamiento).

Con agua más dura recomendamos mezclar 50% de agua del grifo y 50% de agua mineral envasada.

IMPORTANTE No añada nada al contenido del depósito de agua. No utilice agua de las secadoras, agua perfumada o blanda, agua de los refrigeradores, de las baterías, de los aire acondicionados, agua pura destilada o agua de lluvia. Estas aguas contienen residuos orgánicos o elementos minerales que se concentran con el calor y pueden provocar salidas de vapor, manchas oscuras o un envejecimiento prematuro del aparato.

UTILIZACIÓN

2 • Llenar el depósito



IMPORTANTE ¡Antes de llenar el depósito de agua, retirar el enchufe de la red y ajustar el regulador de vapor a la posición !

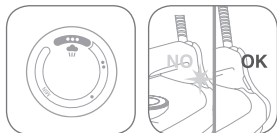
Mantener la plancha en posición inclinada. Abrir el orificio de llenado.

Introducir agua hasta la marca Máx. Cerrar el orificio de llenado y volver a colocar la plancha en posición horizontal.

3 • Ajustar la temperatura

Seleccionar la temperatura de planchado con la ayuda del regulador de temperatura según el tipo de tejido.

Control de la temperatura* : Al encenderse la luz piloto, se indica el calentamiento de la suela. El apagado de la luz piloto indica que se ha alcanzado la temperatura deseada y puede empezar a planchar.



Etiqueta en las prendas	Clase de tejido	Regulador de temperatura
	Fibras sintéticas, viscosa, poliéster	●
	seda, lana	● ●
	algodón, lino	● ● ●

IMPORTANTE Debido a que la plancha tarda más en enfriarse que en calentarse, recomendamos comenzar primero por el planchado de tejidos sensibles con el ajuste de temperatura más bajo. Para prendas de ropa compuestas por diferentes materiales, seleccione la temperatura adecuada al tejido más delicado.

consejo : Aplicar el almidón siempre en la parte interior de los tejidos.

4 • Planchado sin vapor



Girar el regulador de vapor a y ajustar la temperatura según el tipo de tejido (símbolos de puntos •, ••, •••).

5 • Planchado con vapor



Para planchar con vapor, el ajuste de temperatura deberá encontrarse por encima de la posición ••.

Funciones de vapor * El volumen de vapor se puede ajustar entre • (volumen de vapor mínimo) y (volumen de vapor máximo). Para el volumen de vapor máximo recomendamos el ajuste de temperatura •••.

6 • Golpe de vapor (Ajuste de temperatura por encima de la Pos. ••)



Para eliminar arrugas rebeldes con un golpe de vapor fuerte, presione el pulsador de golpe de vapor . Respete un intervalo de algunos segundos entre dos pulsaciones.

7 • Chorro de vapor vertical (Ajuste de temperatura por encima de la Pos. ••)



Consejo : Para evitar que los tejidos delicados se quemen, deben situarse aproximadamente de 10 a 20 cm de la plancha.

Para eliminar arrugas de prendas colgadas, cortinas, etc., mantener el aparato en posición vertical y pulsar la tecla de golpe de vapor .

IMPORTANTE ¡No dirigir el golpe de vapor nunca contra personas o animales!

8 • Función Spray



Para humedecer arrugas rebeldes, pulse la tecla Spray .

9 • Sistema Antigoteo*

Este sistema sirve para evitar que salga agua por la suela si la temperatura es demasiado baja.

10 • Apagado automático electrónico en 3 posiciones*

Una vez conectada, si la plancha no se mueve, se desconecta auto-máticamente al cabo de los siguientes intervalos de tiempo:

- Al cabo de 30 segundos, si la plancha está colocada sobre la suela o sobre un lateral.
- Al cabo de 8 minutos si la plancha está colocada sobre su talón.

Para volver a ponerla en marcha, mueva la plancha ligeramente.

DESPUÉS DE PLANCHAR

11 • Vaciar el depósito



Retirar el enchufe de la red, verter el agua residual y colocar el regulador de vapor en la posición . A continuación, dejar enfriar la plancha.

Abra y cierre varias veces el regulador de salida de vapor para prevenir que el agujero de la válvula de la cámara de vapor se bloquee o se deposite cal.

12 • Guardar la plancha



A continuación, dejar enfriar la plancha y guardar la plancha colocada verticalmente sobre su talón.

IMPORTE Nunca guarde la plancha en posición horizontal.

LIMPIEZA Y CUIDADOS

IMPORTE Desenchufar de la red y dejar enfriar la plancha antes de la limpieza y el mantenimiento.

13 • Sistema antical

La plancha está equipada con un cartucho antical que reduce notablemente la formación de residuos de cal. De este modo se prolonga considerablemente la vida útil de su plancha.

El cartucho antical es un componente fijo del depósito de agua y no es necesario cambiarlo.

14 • Self Clean (prolonga la vida útil de la plancha)



Mediante la función de autolimpieza se eliminan de la cámara de vapor restos de suciedad y residuos minerales.

IMPORTE No utilizar productos decalcificantes ya que podrían deteriorar la cámara de vapor y deteriorar la función del vapor.

Llenar el depósito hasta la marca máx. con agua del grifo y encender la plancha seleccionando la temperatura máxima **•••**. Mantener la plancha en posición horizontal y desplazar el regulador de vapor más allá de la posición hasta la posición Self Clean y mantenerlo en dicha posición de forma constante : ahora empezará una importante formación de vapor. Tras unos segundos, el agua y el vapor que salen de la suela de la plancha expulsarán consigo los restos de suciedad y partículas de cal de la cámara de vapor.

* según el modelo

Transcurrido aprox. 1 minuto, volver a colocar el regulador de vapor en la posición ☞. Volver a conectar el enchufe. Espere hasta que se evapore el resto del agua. Retirar el enchufe de la red y esperar hasta que se enfríe la plancha. Limpiar la suela fría con un paño húmedo.

Consejo : Le recomendamos llevar a cabo el proceso de autolimpieza aprox. cada 2 semanas. En caso de agua muy calcárea, es aconsejable una limpieza semanal.

15 • Limpieza de la plancha

En estado frío, el aparato y la suela pueden limpiarse con un paño húmedo o una esponja.

IMPORTANTE No utilice nunca productos de limpieza y objetos cortantes o abrasivos para limpiar la suela y otras partes del aparato. Si el aparato no se ha utilizado durante mucho tiempo, utilice la función SELF-CLEAN (ver § 14).

POSIBLES FALLOS Y SU CORRECCIÓN

Problema	Posible causa	Corrección
La suela de la plancha está fría o no se calienta aunque la plancha está conectada.	No hay alimentación eléctrica.	Asegúrese de que el enchufe esté conectado correctamente, o pruebe el aparato en otra caja de enchufe.
	El regulador de temperatura se encuentra ajustado en una posición baja.	Gire el regulador de temperatura a una posición más alta.
	El autoapagado electrónico está activado*.	Mueva la plancha.
La luz piloto* se enciende y se apaga.	Proceso normal.	Al encender y apagar la luz piloto* se indica la fase de calentamiento. Cuando la luz piloto* se apague, la suela ha alcanzado la temperatura* seleccionada.
No sale vapor o sale muy poco.	El regulador de vapor se encuentra en la posición ☞.	Gire el regulador de vapor a una posición más alta.
	No hay suficiente agua en el depósito.	Llenar el depósito.
	La función antigoteo* está activada. (§ 9).	Esperar hasta que la suela haya alcanzado de nuevo la temperatura correcta.
Los residuos que salen de los orificios de vapor provoca manchas en los tejidos.	Posibles restos en la cámara de vapor o la suela.	Llevar a cabo un proceso de autolimpieza.
	Está empleando productos químicos adicionales.	No añadir al agua del depósito productos químicos adicionales.
	Está empleando agua destilada pura o descalcificada.	Emplear sólo agua del grifo o una mezcla 1:1 de agua del grifo y agua mineral envasada.
	Está empleando almidón.	Aplicar el almidón siempre en la parte interior de los tejidos.
Sale agua de la suela.	Temperatura de la suela demasiado baja debido a una presión frecuente del botón de golpe de vapor.	Dejar transcurrir más tiempo entre los golpes de vapor.

127V ~ 50-60Hz 1700W

ES • ROWENTA GARANTÍA LIMITADA INTERNACIONAL

 : www.rowenta.com

Este producto es susceptible de reparación por ROWENTA durante y después del periodo de garantía. Los accesorios, consumibles y componentes reemplazables por el usuario final, caso de estar disponibles localmente, pueden ser adquiridos tal y como se describe en el sitio web www.rowenta.com

La garantía

Este es un producto garantizado por ROWENTA contra defectos de fabricación o en los materiales durante el periodo de garantía en aquellos países *** que figuran en la lista de países incluida en la última página del manual de usuario, a partir de la fecha de compra.

La garantía internacional del fabricante cubre todos los costes de restitución del producto defectuoso, de forma que se ajuste a sus especificaciones originales, ya sea mediante su reparación o la sustitución de los componentes defectuosos y la mano de obra necesaria. A criterio de ROWENTA, se podrá sustituir el producto defectuoso, en lugar de repararlo. La reparación o sustitución del producto es la única obligación de ROWENTA y la única y exclusiva solución facilitada al cliente en virtud de la presente garantía.

Condiciones y exclusiones

ROWENTA no estará obligada a reparar o sustituir productos que no vayan acompañados de una prueba de compra válida. Se puede llevar el producto en persona directamente a un centro de servicios autorizado, o embalarlo adecuadamente y enviarlo, por correo certificado (o envío postal equivalente), a un centro de servicios autorizado de ROWENTA. La dirección completa de los centros de servicio autorizados en cada país puede obtenerse en el sitio web de ROWENTA (www.rowenta.com) o llamando al número de teléfono de Atención al Consumidor del país en cuestión indicado en la Lista de Países.

La garantía internacional ROWENTA se aplica únicamente a productos adquiridos en uno de los países relacionados, y destinados exclusivamente a uso doméstico en uno de los países indicados en la Lista de Países. Esta garantía no cubrirá los daños que puedan producirse como resultado de usos incorrectos, negligencia, inobservancia de las instrucciones de ROWENTA, o una modificación o reparación no autorizada del producto, un embalaje inadecuado por parte del consumidor o por una manipulación incorrecta del transportista. Tampoco cubre el uso y desgaste habitual, el mantenimiento o sustitución de consumibles, ni lo siguiente:

- la utilización de un tipo de agua o consumible incorrecto
- la calcificación (las descalcificaciones deberán realizarse con arreglo a las instrucciones de uso)
- daños mecánicos, sobrecarga
- la entrada de agua, polvo o insectos dentro del producto
- uso profesional o comercial
- accidentes, incluidos incendios, inundaciones, rayos, etc.
- daños en los materiales de vidrio o porcelana del producto
- daños o mal funcionamiento debidos específicamente a un voltaje o frecuencia distintos de los que aparecen impresos en la etiqueta del producto u otras especificaciones locales.

Derechos legales de los consumidores

La garantía internacional ROWENTA no afecta a los derechos legales de los consumidores ni a derechos que no puedan ser excluidos o restringidos, ni a los derechos que el consumidor tenga frente al comerciante minorista que le vendió el producto. Esta garantía proporciona al consumidor derechos legales específicos, y el consumidor también podrá tener otros derechos legales que variarán de una región a otra o de un país a otro. El consumidor ejercerá esos derechos a su criterio.

FECHA DE COMPRA

***Cuando un producto sea adquirido en un país incluido en la Lista de Países y posteriormente se utilice en otro país incluido en la Lista, la duración de la garantía internacional ROWENTA será la vigente en el país de utilización del producto, incluso aunque el producto haya sido adquirido en otro país incluido en la Lista con una duración distinta de garantía. El proceso de reparación para productos adquiridos fuera del país de uso puede precisar de un plazo mayor si ROWENTA no comercializa localmente el producto. En los casos en los que el producto no sea susceptible de reparación en el país de uso, la garantía internacional ROWENTA se limitará a la sustitución por un producto similar o un producto alternativo de precio similar, siempre que sea posible.

